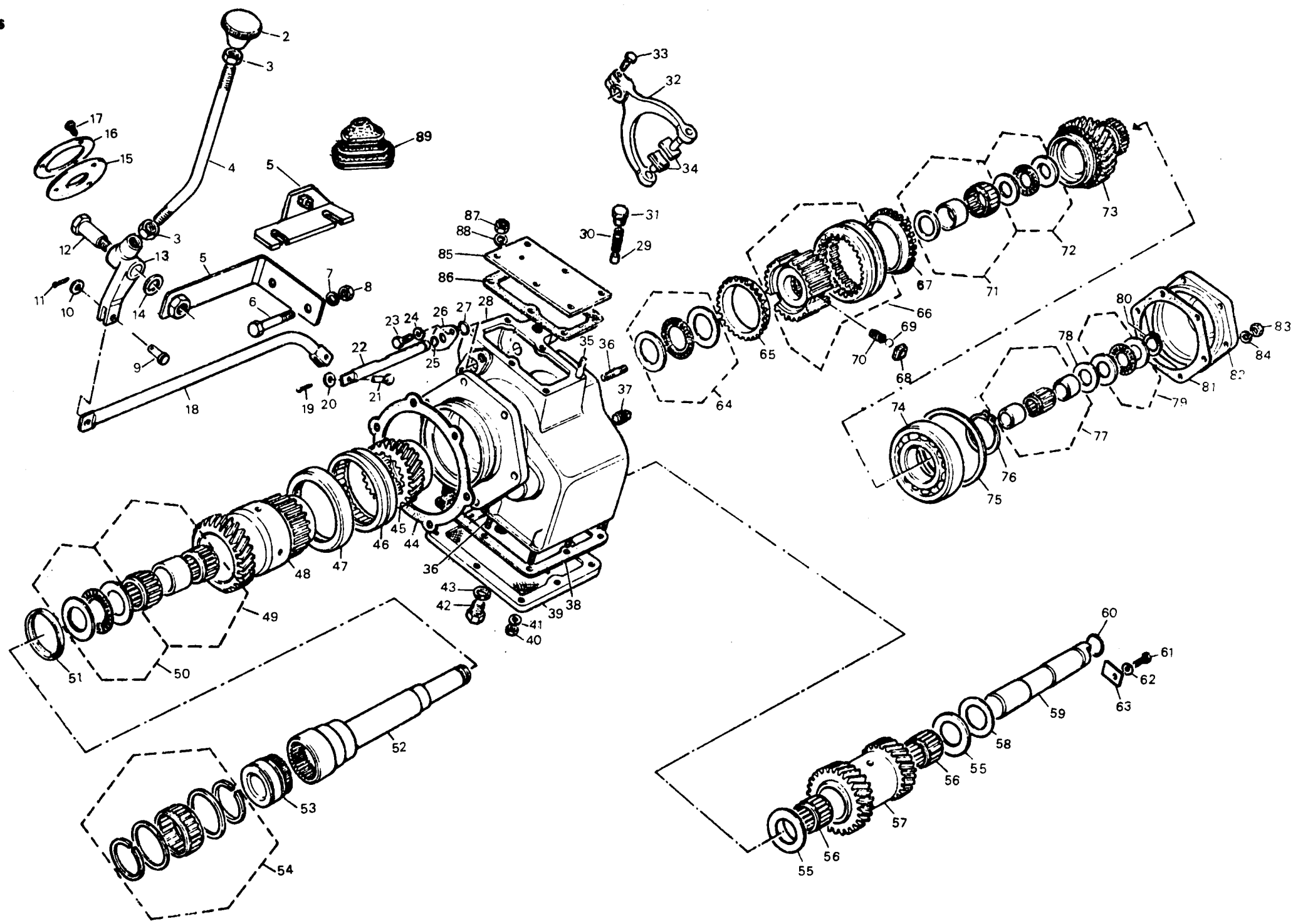


PUBLICACION N 880013  
EDICION N 1

GRUPO=18 EXTRAS  
GRUPE=18 EXTRAS  
GROUPE=18 EXTRAS

SUBGRUPO=FARO ROTATIVO LUCAS  
SUBGROUP=ROTARIONAL HEADLAMP  
SUBGROUPE=PHARE ROTATOIRE LUCA

N.FIG	N.PIEZA	CAN	DENOMINACION	DESCRIPTION	DENOMINATION	C H A S I S
PLATE	PARTNUMBER	QTY				
N.FIG	N.PIECE	OUT				
1	193765	2	FARO ROTATIVO LUCAS	LUCAS ALARM BULB	ADVERTISSEUR LUCAS	
2	193748	2	CRISTAL	GLASS	VERRE	
3	193767	2	LAMPARA 36 W	BULB 36 W	LAMP 36 W	
4	193768	2	LAMPARA 70 W	BULB 70 W	LAMP 70 W	
5	193770	2	GOMA	RUBBER	CAOUTCHOUC	
6	193766	2	MOTOR	WIPER MOTOR	MOTEUR	
7	193769	2	JUEGO DE ENGRANAJES	GEAR KIT	JEU DE ENGRANAJES	

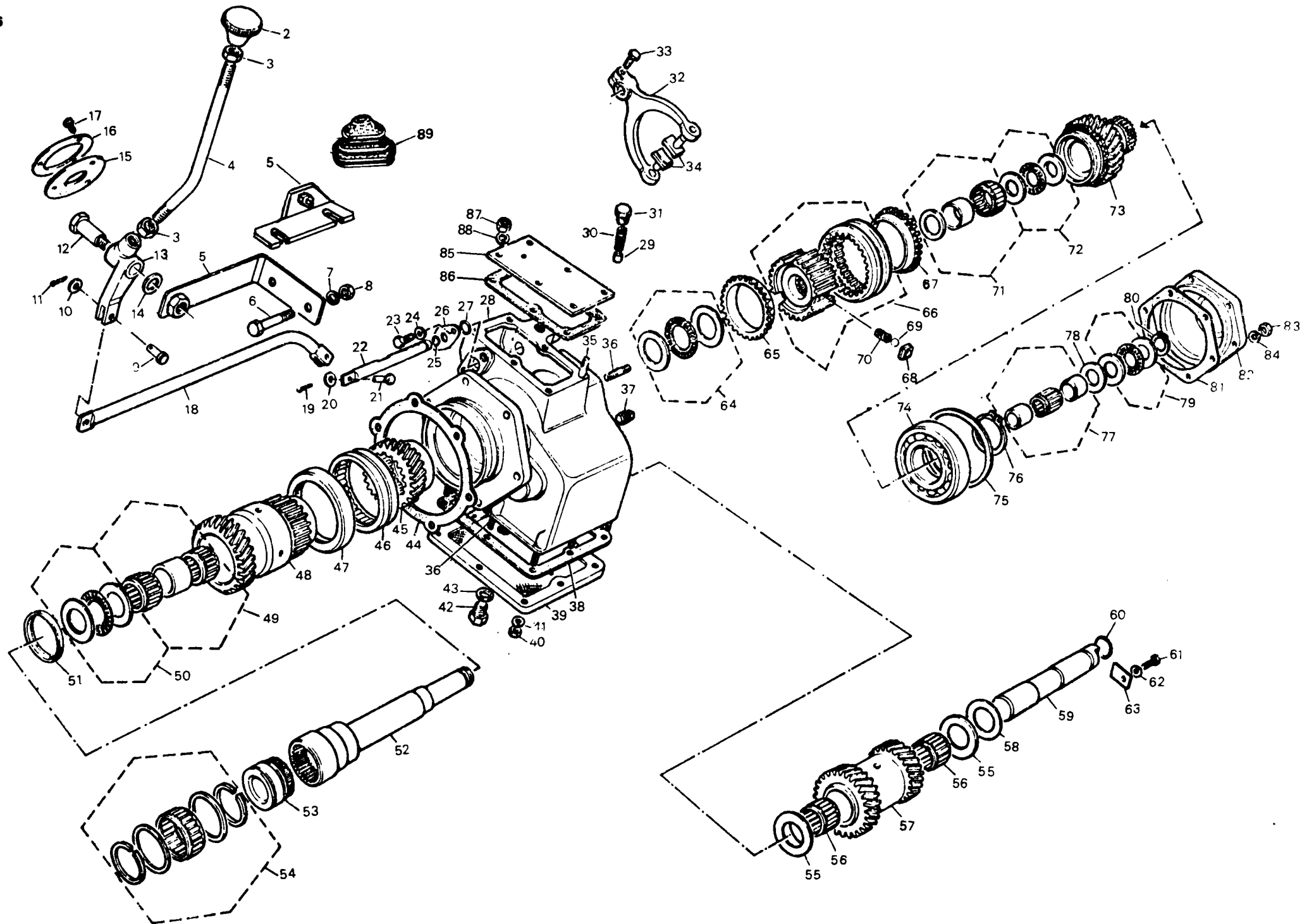


PUBLICACION N 890013  
EDICION N 1

GRUPO=18 EXTRAS  
GROUP=18 EXTRAS  
GROUPE=18 EXTRAS

SUBGRUPO=SUPERMARCHA  
SUBGROUP=SANTANA OVERDRIVE  
SUBGROUPE=OVERDRIVE SANTANA

N.FIG PLATE N.FIG	N.PIEZA PARTNUMBER N.PIECE	CAN QTY OUT	DENOMINACION	DESCRIPTION	DENOMINATION	C H A S I S
1	GLR121A	1	CONJ SUPERMARCHA	OVERDRIVE ASSY	ENS OVERDRIVE	
2	120685	1	EMPU/ADURA	LEVER KNOB	BOUTON DE LEVIER	
3	3905	2	TUERCA	NUT	ECROU	
4	120756	1	PALANCA	LEVER	LEVIER	
5	127408	1	SOPORTE 4C	BRACKET 4C	SUPPORT 4C	
	127525	1	SOPORTE 6C	BRACKET 6C	SUPPORT 6C	
6	182270	2	TORNILLO	BOLT	BOULON	
7	3075	2	ARANDELA	WASHER	RONDELLE	
8	181181	2	TUERCA	NUT	ECROU	
9	120763	1	PASADOR	CLEVIS PIN	GOUPILLE	
10	3946	2	ARANDELA	WASHER	RONDELLE	
11	4042	1	PASADOR	PIN	GOUPILLE	
12	120678	1	TORNILLO 6C	BULON 6C	BOULON 6C	
	120757	1	TORNILLO 4C	BULON 4C	BOULON 4C	
13	120676	1	PIVOTE 6C	PIVOT 6C	ROTULE 6C	
	120758	1	PIVOTE 4C	PIVOT 4C	ROTULE 4C	
14	2205	1	ARANDELA	WASHER	RONDELLE	
15	120762	1	JUNTA	JOINT	JOINT	
16	120761	1	ARANDELA	WASHER	RONDELLE	
17	073833	3	TORNILLO	SCREW	VIS	
18	120682	1	PALANCA 6C	LEVER 6C	LEVIER 6C	
	120822	1	PALANCA 4C	LEVER 4C	LEVIER 4C	
19	4042	1	PASADOR	PIN	GOUJON	
20	3946	1	ARANDELA	WASHER	RONDELLE	
21	156518	1	PASADOR	CLEVIS PIN	GOUPILLE	
22	120683	1	EJE	SHAFT	AXE	
23	074827	2	TORNILLO	SCREW	VIS	
24	3074	2	ARANDELA	WASHER	RONDELLE	
25	189422	1	ANILLO	RING	ANNEAU	
26	120673	1	PLACA	PLATE	PLAQUE	
27	189421	2	ANILLO	RING	ANNEAU	
28	120668	1	CARTER	HOUSING	CARTER	
29	120851	1	TAPON	PLUG	BOUCHON	
30	56102	1	MUELLE	SPRING	RESSORT	

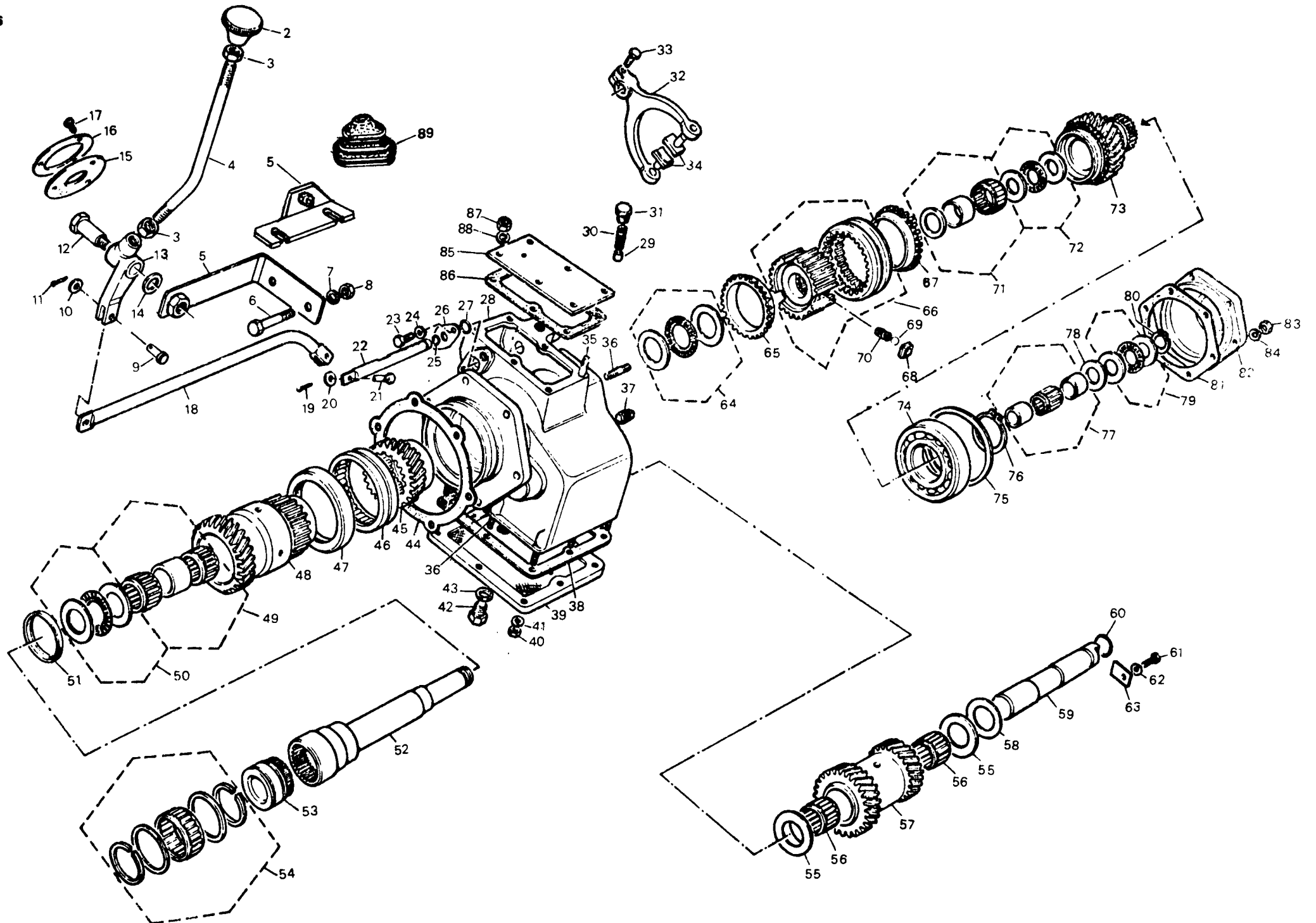


PUBLICACION N 383313  
EDICION N 1

GRUPO=18 EXTRAS  
GROUP=19 EXTRAS  
GRUPE=18 EXTRAS

SUBGRUPO= SUPERMARCHA  
SUBGROUP= SANTANA OVERDRIVE  
SUBGROUPE= OVERDRIVE SANTANA

N.FIG	N.PIEZA	CAN	DENOMINACION	DESCRIPTION	DENOMINATION	Nº SUPERMARCHA	OVERDRIVE No.	Nº OVERDRIVE
PLATE	PARTNUMBER	QTY						
N.FIG	N.PIECE	OUT						
31	235416	1	TORNILLO	SCREW	VIS			
32	120672	1	HORQUILLA	SELECTOR FORK	FOURCHETTE			
33	217564	1	TORNILLO	BOLT	BOULON			
34	120673	2	PATIN	PAD	PATIN			
35	212104	6	ESPARRAGO BSW	STUD BSW	GOUJON BSW			
	252607	6	ESPARRAGO UNF	STUD UNF	GOUJON UNF			
36	180101	14	ESPARRAGO BSW	STUD BSW	GOUJON BSW			
	252622	14	ESPARRAGO UNF	STUD UNF	GOUJON UNF			
37	3297	1	TAPON	DRAIN PLUG	BOUCHON			
38	120687	1	JUNTA	JOINT	JOINT			
39	120686	1	TAPA	COVER	COUVERCLE			
40	180108	8	TUERCA BSW	NUT BSW	ECROU B S W			
	181181	8	TUERCA UNF	NUT UNF	ECROU UNF			
41	3075	8	ARANDELA	WASHER	RONDELLE			
42	536577	1	TAPON	DRAIN PLUG	BOUCHON			
43	243959	1	ARANDELA	WASHER	RONDELLE			
44	622047	1	JUNTA	JOINT	JOINT			
45	120788	1	ENGRANAJE	GEAR	ENGRANAGE	H		E49005693
	120842	1	ENGRANAJE	GEAR	ENGRANAGE	H		E49106570
	121103	1	ENGRANAJE	GEAR	ENGRANAGE	D		E49106571
46	181514	1	RODAMIENTO	BEARING	ROULEMENT			
47	139415	1	RETEN	RETAINER	ARRETOIR			
48	120856	1	ENGRANAJE	GEAR	ENGRANAJE			
49	193361	1	CONJ RODAMIENTOS	BEARING ASSY	ENS DE ROULEMENT	H		E49106570
	194020	1	CONJ RODAMIENTO	BEARING ASSY	ENS DE ROULEMENT	D		E49106571
50	193362	1	CONJ RODAMIENTOS	BEARING ASSY	ENS DE ROULEMENT	H		E49107844
	193753	1	CONJ RODAMIENTO	BEARING ASSY	ENS DE ROULEMENT	D		E49107845
51	189416	1	RETEN	RETAINER	ARRETOIR			
52	120874	1	EJE PRINCIPAL	MAINSHAFT	ARBRE PRINCIPALE	D		E49110340
	194505	1	CONJ EJE ACOPLAMIENT	MAINSHAFT COUPLING A	ENS ARBRE ACCOUPLEME	H		E49110339
53	120875	1	ACOPLAMIENTO	COUPLING	ACCOUPEMENT	D		E49110340
	127392	1	ACOPLAMIENTO	COUPLING	ACCOUPEMENT	H		E49110339
54	193363	1	CONJ RODAMIENTO	BEARING ASSY	ENS DE ROULEMENT			
55	189425	2	ARANDELA	WASHER	RONDELLE			

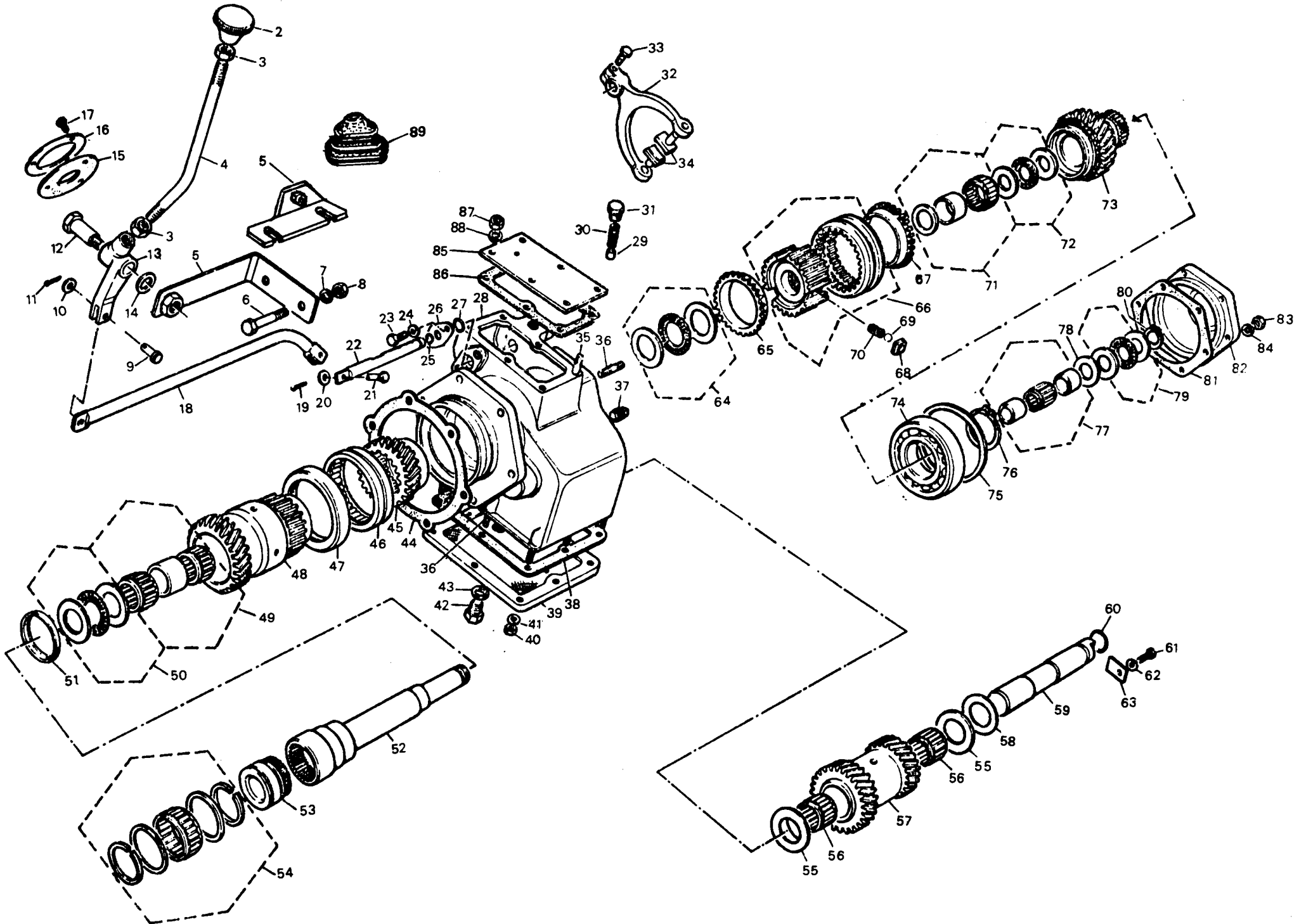


PUBLICACION N 8P0013  
EDICION N 1

GRUPO=18 EXTRAS  
GROUP=18 EXTRAS  
GROUPE=18 EXTRAS

SUBGRUPO=SUPERMARCHA  
SUBGROUP=SANTANA OVERDRIVE  
SUBGROUPE=OVERDRIVE SANTANA

N.FIG	N.PIEZA	CAN	DENOMINACION	DESCRIPTION	DENOMINATION	Nº SUPERMARCHA OVERDRIVE No. Nº D'OVERDRIVE	
PLATE	PARTNUMBER	QTY					
N.FIG	N.PIECE	OUT					
56	181510	2	RODAMIENTO	BEARING	ROULEMENT		
57	120655	1	ENGRANAJE	GEAR	ENGRANAJE		
58	189423	S-N	ARANDELA	WASHER	RONDELLE		
	189424	S-N	ARANDELA	WASHER	RONDELLE		
59	120600	1	EJE INTERMEDIO	SHAFT MIDDLE	ARBRE INTERMEDIAIRE		
60	120666	1	ANILLO	RING	ANNEAU		
61	215647	1	TORNILLO	SCREW	VIS		
62	3075	1	ARANDELA	WASHER	RONDELLE		
63	120665	1	PLACA	PLATE	PLAQUE		
64	193367	1	CONJ RODAMIENTO	BEARING ASSY	ENS ROULEMENT	H	E49106570
	193742	1	CONJ RODAMIENTO	BEARING ASSY	ENS ROULEMENT	D	E49106571
65	591364	1	ENGRANAJE	GEAR	ROULEMENT		
66	127367	1	CONJ SINCRONIZADOR	SYNCHRONISING ASSY	ENS SYNCHRONISATION	H	E49005693
	127424	1	CONJ SINCRONIZADOR	SYNCHRONISING ASSY	ENS SYNCHRONISATION	H	E49106570
	127471	1	CONJ SINCRONIZADOR	SYNCHRONISING ASSY	ENS SYNCHRONISATION	D	E49106571
67	591364	1	ENGRANAJE	GEAR	ENGRANAJE		
68	553084	1	DESPLAZABLE	DISPLACEABLE	DEPLACABLE		
69	52459	1	BOLA	BALL	BILLE		
70	513815	1	MUELLE	SPRING	RESSORT		
71	193366	1	CON RODAMIENTO	BEARING ASSY	ENS ROULEMENT		
72	193364	1	CON RODAMIENTO	BEARING ASSY	ENS ROULEMENT		
73	120719	1	ENGRANAJE	GEAR	ENGRANAJE	H	E49005693
	120841	1	ENGRANAJE	GEAR	ENGRANAJE	H	E49107844
	121121	1	ENGRANAJE	GEAR	ENGRANAJE	D	E49107845
74	181515	1	RODAMIENTO	BEARING	ROULEMENT		
75	189431	S-N	ARANDELA	WASHER	RONDELLE		
	189432	S-N	ARANDELA	WASHER	RONDELLE		
	189433	S-N	ARANDELA	WASHER	RONDELLE		
	189434	S-N	ARANDELA	WASHER	RONDELLE		
76	189410	1	ANILLO ELASTICO	CIRCLIP	CIRCLIP		
77	193365	1	CONJ RODAMIENTO	BEARING ASSY	ENS ROULEMENT		
78	189426	S-N	ARANDELA	WASHER	RONDELLE		
	189427	S-N	ARANDELA	WASHER	RONDELLE		
	189428	S-N	ARANDELA	WASHER	RONDELLE		



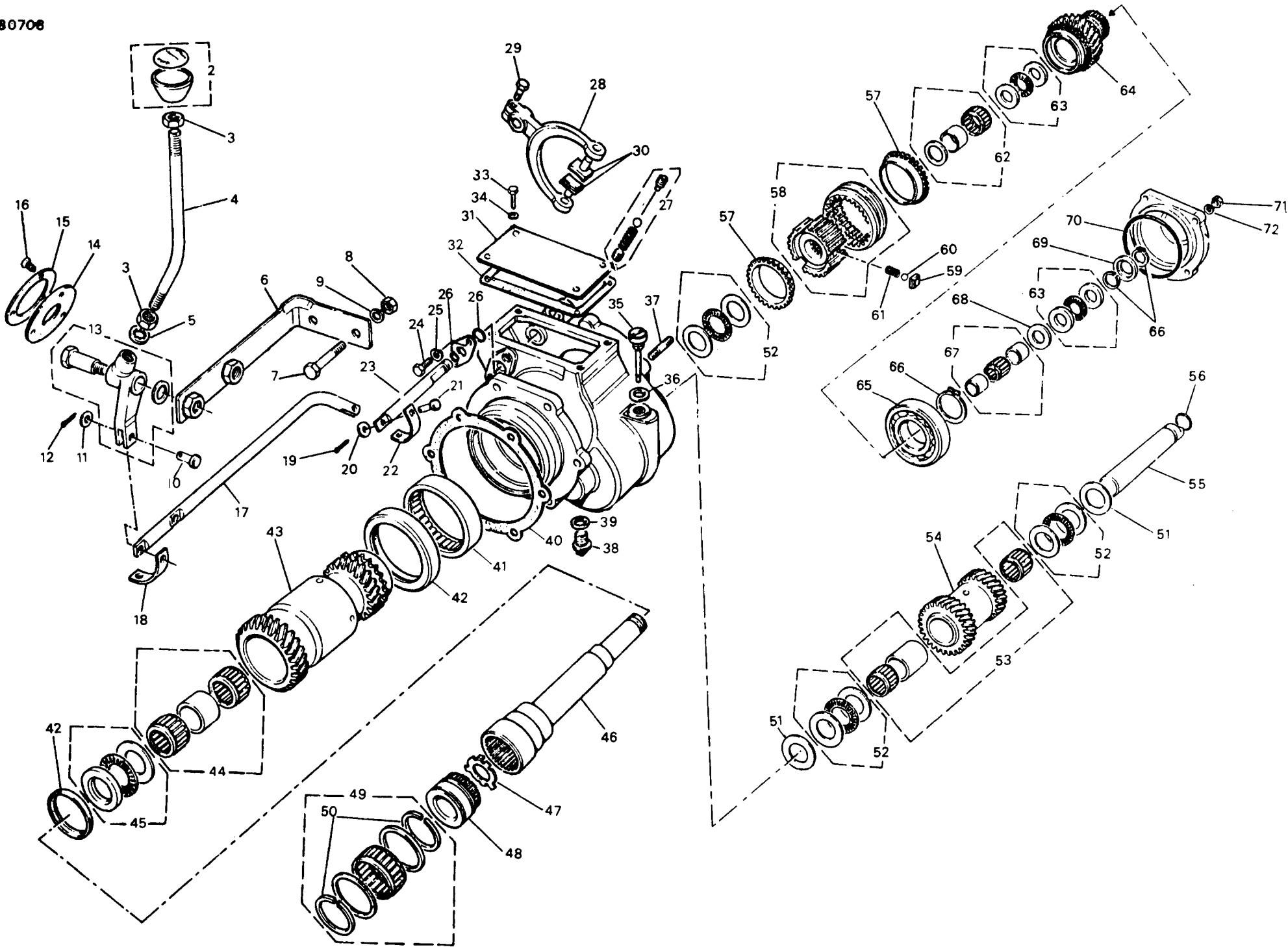


PUBLICACION N 880013  
 EDICION N 1

GRUPO=18 EXTRAS  
 GROUP=18 EXTRAS  
 GROUPE=18 EXTRAS

SUBGRUPO=SUPERMARCHA  
 SUBGROUP=SANTANA OVERDRIVE  
 SUBGROUPE=OVERDRIVE SANTANA

N.FIG	N.PIEZA	CAN					
PLATE	PART/MPFR	QTY					
N.FIG	N.PIECE	OUT	DENOMINACION	DESCRIPTION	DENOMINATION		C H A S I S
	189429	S-N	ARANDELA	WASHER	RONDELLE		
79	193384	1	CONJ RODAMIENTO	BEARING ASSY	ENS ROULEMENT		
87	189469	1	ANILLO ELASTICO	4C CIRCLIP	4C CIRCLIP	4C	
	189467	1	ANILLO ELASTICO	6C CIRCLIP	6C CIRCLIP	6C	
81	189427	1	JUNTA	JOINT	JOINT		
82	128655	1	TAPA	COVER	COUVERCLE		
83	181181	6	TUERCA	NUT	ECROU		
84	3075	6	ARANDELA	WASHER	RONDELLE		
85	127283	1	TAPA	COVER	COUVERCLF		
86	189417	1	JUNTA	JOINT	JOINT		
87	181184	6	TUERCA	NUT	ECROU		
88	3074	6	ARANDELA	WASHER	RONDELLE		
89	121175	1	GUARDAPOLVOS	DUST COVER	PARE POUSSIERE		

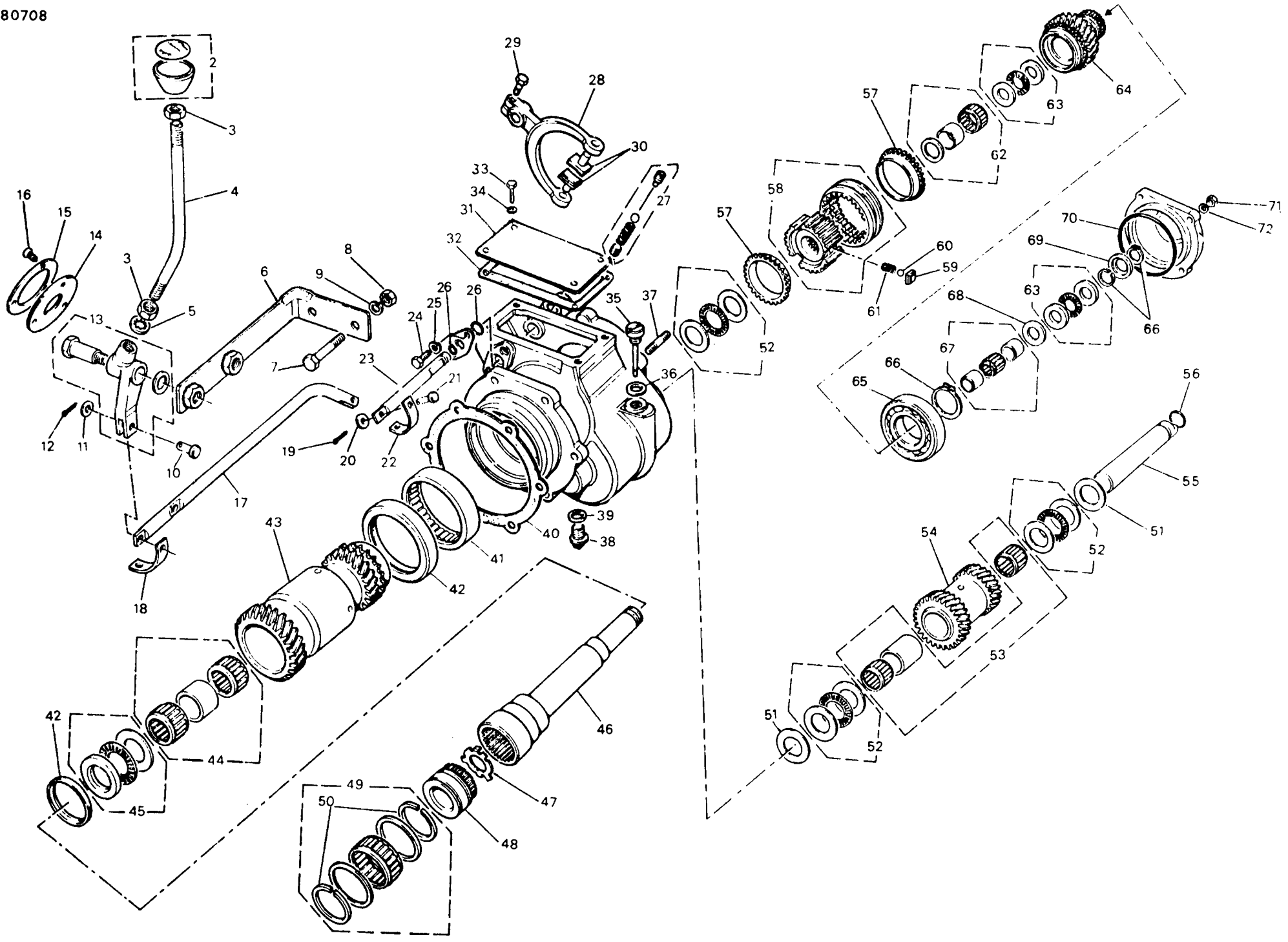


PUBLICACION N 88 0013  
EDICION N 1

GRUPO=18 EXTRAS  
GROUP=18 EXTRAS  
GROUPE=18 EXTRAS

SUBGRUPO=SUPERMARCHA FAIREY  
SUBGROUP=FAIREY OVERDRIVE  
SUBGROUPE=OVERDRIVE FAIREY

N.FIG	N.PIEZA	CAN	DENOMINACION	DESCRIPTION	DENOMINATION	C H A S I S
PLATE	PARTNUMBER	QTY				
N.FIG	N.PIEZA	OUT				
1	GLR127A	1	CONJ SUPERMAR FAIREY	OVERDRY ASSY FAIREY	ENS OVERDRY FAIREY	
2	RTC7158	1	EMPUJADORA	LEVER KNOB	BOUTON DE LEVIER	
3	NT1112041	2	TUERCA	NUT	ECROU	
4	RTC7159	1	PALANCA	LEVER	OLEVIER	
5	WF1117001	1	ARANDELA	WASHER	RONDELLE	
6	RTC7164	1	SUPORTE	BRACKET	SUPPORT	
7	PH100171	2	TORNILLO	BOLT	BOULON	
8	GHE213	2	TUERCA	NUT	ECROU	
9	WM1117001	2	ARANDELA	WASHER	RONDELLE	
10	RTC7160	1	PASADOR	CLEVIS PIN	GOUPILLE	
11	RTC619	1	ARANDELA	WASHER	RONDELLE	
12	3958	1	PASADOR	PIN	GOUPILLE	
13	RTC7160	1	CONJ PIVOTE	PIVOT KIT	ENS DE TOTULE	
14	RTC7195	1	JUNTA	JOINT	JOINT	
15	RTC7196	1	ARANDELA	WASHER	RONDELLE	
16	5349 7	3	TORNILLO	SCREW	VIS	
17	RTC7161	1	PALANCA	LEVER	LEVIER	
18	RTC7197	1	AISLADOR	INSULATOR	ISOLANT	
19	3958	1	PASADOR	PIN	GOUJON	
20	RTC619	1	ARANDELA	WASHER	RONDELLE	
21	RTC7163	1	PASADOR	CLEVIS PIN	GOUPILLE	
22	RTC7197	1	AISLADOR	INSULATOR	ISOLANT	
23	RTC7165	1	EJE	SHAFT	AXE	
24	SH100101	2	TORNILLO	SCREW	VIS	
25	WL1005001	2	ARANDELA	WASHER	RONDELLE	
26	RTC7166	2	ANILLO	RING	ANNEAU	
27	RTC7181	1	CONJ FIADOR	LOCKET ASSY	ENS ATTACHE	
28	522013	1	MORQUILLA	SELECTOR FORK	FOURCHETTE	
29	182118	1	TORNILLO	SCREW	VIS	
30	532943	1	PATIN	PAD	PATIN	
31	RTC7180	1	TAPA	COVER	COUVERCLE	
32	RTC7182	1	JUNTA	JOINT	JOINT	
33	SH100161	4	TORNILLO	SCREW	VIS	
34	WL100501	4	ARANDELA	WASHER	RONDELLE	

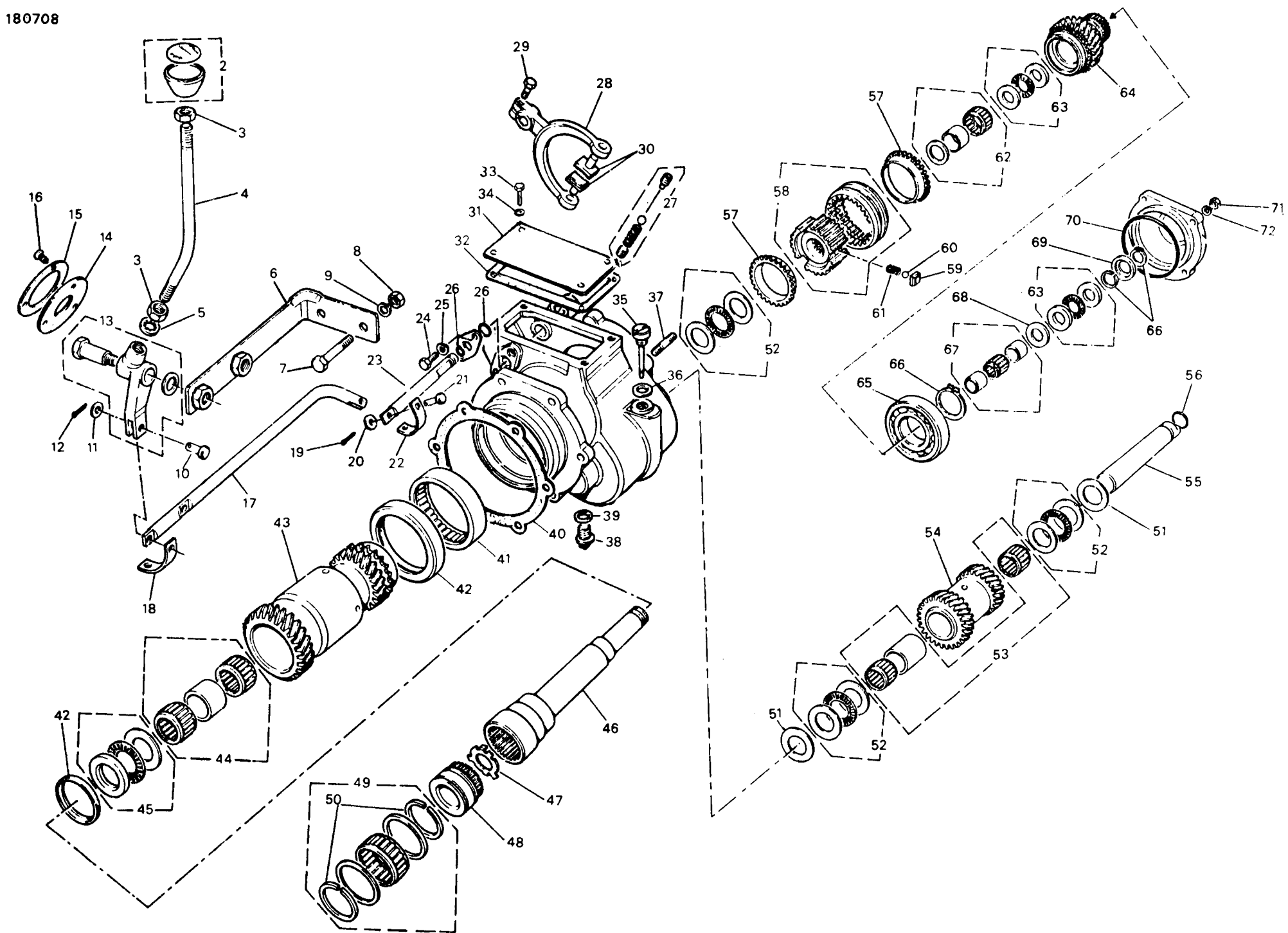


PUBLICACION N 990013  
EDICION N 1

GRUPO=18 EXTRAS  
GRUPE=18 EXTRAS  
GRUPE=18 EXTRAS

SUBGRUPO=SUPERMARCHA FAIREY  
SUBGROUP=FAIREY OVERDRIVE  
SUBGROUPE=OVERDRIVE FAIREY

N.FIG PLATE N.FIG	N.PIEZA PARTNUMBER N.PIECE	CAN QTY OUT	DENOMINACION	DESCRIPTION	DENOMINATION	C H A S I S
35	PTC7180	1	VARILLA	RUD	TRINGLE	
36	RTC7178	1	ARANDELA	WASHER	RONDELLE	
37	RTC7191	4	ESPARRAGO	STUD	GOUJON	
38	PTC7177	1	TAPON	DRAIN PLUG	BOUCHON	
39	PTC7178	1	ARANDELA	WASHER	RONDELLE	
40	622047	1	JUNTA	JOINT	JOINT	
41	RTC7179	1	RODAMIENTO	BEARIN	ROULEMENT	
42	PTC7173	2	RETERO	PETAINER	APRETOIR	
43	PTC7176	1	ENGRANAJE	GEAR	ENGRANAGE	
44	RTC7175	1	CONJ RODAMIENTO	BEARING ASSY	ENS ROULEMENT	
45	RTC7174	1	CONJ RODAMIENTO	BEARING ASSY	ENS ROULEMENT	
46	PTC7168	1	EJE PRINCIPAL	MAINSHAFT	ARBRE PRINCIPALE	
47	PTC7169	1	ARANDELA	WASHER	RONDELLE	
48	PTC7170	1	ACOPLAMIENTO	COUPLING	ACOUPLEMENT	
49	PTC7171	1	CONJ RODAMIENTO	BEARING ASSY	ENS DE ROULEMENT	
50	PTC7172	1	ANILLO ELASTICO	CIRCLIP	CIRCLIP	
51	PTC7139	S-N	ARANDELA	WASHER	RONDELLE	
52	PTC7184	3	CONJ RODAMIENTO	BEARING ASSY	ENS ROULEMENT	
53	PTC7193	1	CONJ RODAMIENTO	BEARING ASSY	ENS ROULEMENT	
54	PTC7192	1	ENGRANAJE	GEAR	ENGRANAGE	
55	PTC7194	1	EJE INTERMEDIO	IDLER SHAFT	APBRE INTERMEDIAIRE	
56	RTC7166	1	ANILLO	RING	ANNEAU	
57	571936	2	ENGRANAJE	GEAR	ENGRANAGE	
58	561392	1	CONJ SINCRONIZADOR	SYNCHRONISING ASSY	ENS DE SYNCHRONISATI	
59	560084	3	SINCRONIZADOR	SYNCHRONISING ASSY	SYNCHRONISATION	
60	52454	3	BOLA	BALL	BILLE	
61	503815	3	MUELLE	SPRING	RESSORT	
62	PTC7185	1	CONJ RODAMIENTO	BEARING ASSY	ENS ROULEMENT	
63	PTC7186	2	CONJ RODAMIENTO	BEARING ASSY	ENS ROULEMENT	
64	RTC7187	1	ENGRANAJE	GEAR	ENGRANAGE	
65	1D3790	1	RODAMIENTO	BEARING	ROULEMENT	
66	RTC7172	3	ANILLO ELASTICO	CIRCLIP	CIRCLIP	
67	PTC7198	1	CONJ RODAMIENTO	BEARING ASSY	ENS ROULEMENT	
68	PTC7189	S-N	ARANDELA	WASHER	RONDELLE	

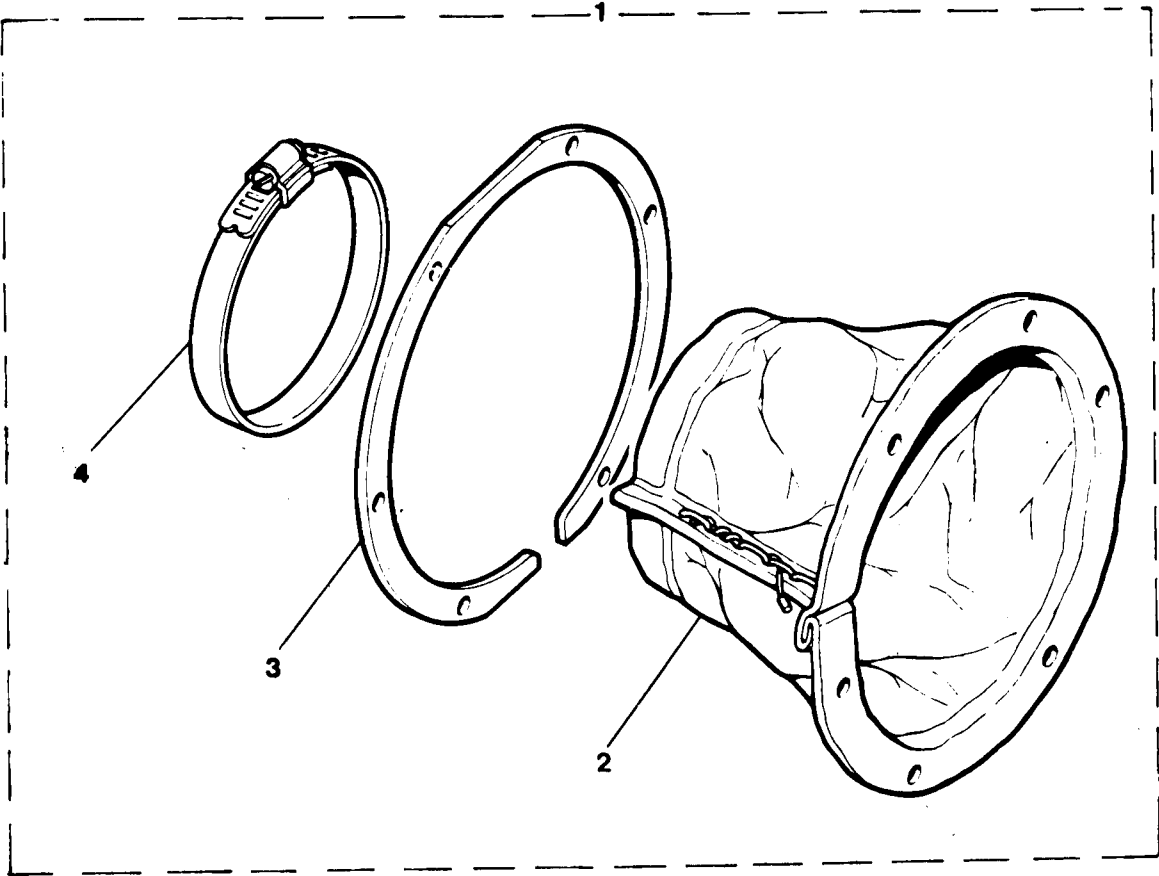


PUBLICACION N 983513  
EDICION N 1

GRUPO=18 EXTRAS  
GRUPO=18 EXTRAS  
GRUPO=18 EXTRAS

SUBGRUPO=SUPERMARCHA FAIREY  
SUBGRUPO=FAIREY OVERDRIVE  
SUBGRUPO=OVERDRIVE FAIREY

N.FIG	N.PIEZA	CAN	DENOMINACION	DESCRIPTION	DENOMINATION	C H A S I S
PLATE	PARTNUMBER	QTY				
N.FIG	N.PIECE	OUT				
69	RT07190	1	SEPARADOR	SPACER	ENTRETOISE	
70	RT07166	1	ANILLO	RING	ANNEAU	
71	SHF213	4	TUERCA	NUT	ECROU	
72	WM108071	4	BRANDELA	WASHER	RONDELLE	





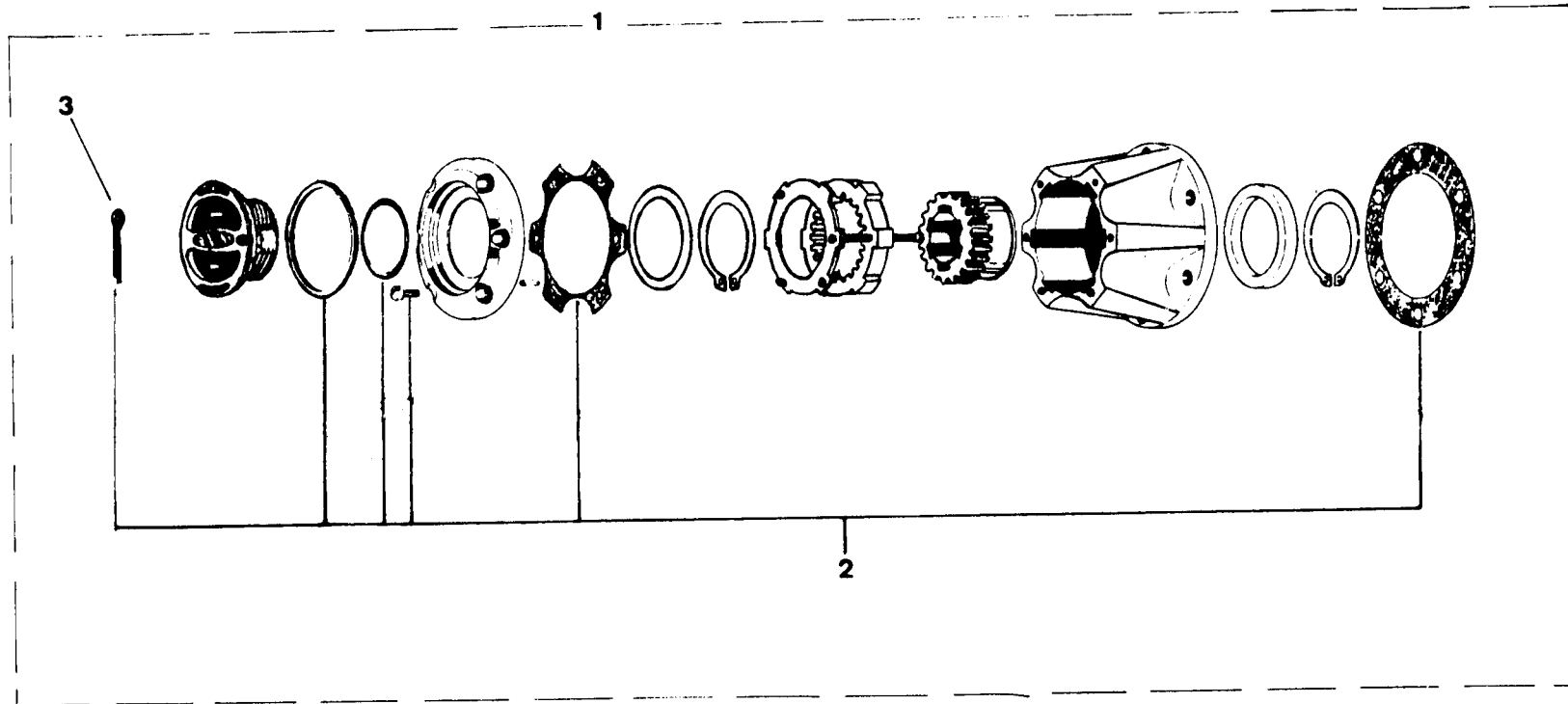
PUBLICACION N 883313  
 EDICION N 1

GRUPO=18 EXTRAS  
 GROUP=18 EXTRAS  
 GROUPE=18 EXTRAS

SUBGRUPO=PROTECCION EJES GIRO  
 SUBGROUP=GAITERERS  
 SUBGROUPE=PROTECTION CARDAN E

N.FIG	N.PIEZA	CAN	DENOMINACION	DESCRIPTION	DENOMINATION	C H A S I S
PLATE	PARTNLMFR	QTY				
N.FIG	N.PIECE	OUT				
1	270954	2	CONJ PROTECCION	PROTECTION ASSY	ENSEMBLE PROTECT	
2	276954	2	FUNDA	COUVER	GAINÉ	
3	271451	2	ARILLO	RING	BAGUE	
4	189473	2	ABRAZADERA	CLAMP	COLLIER	

137404  
180909

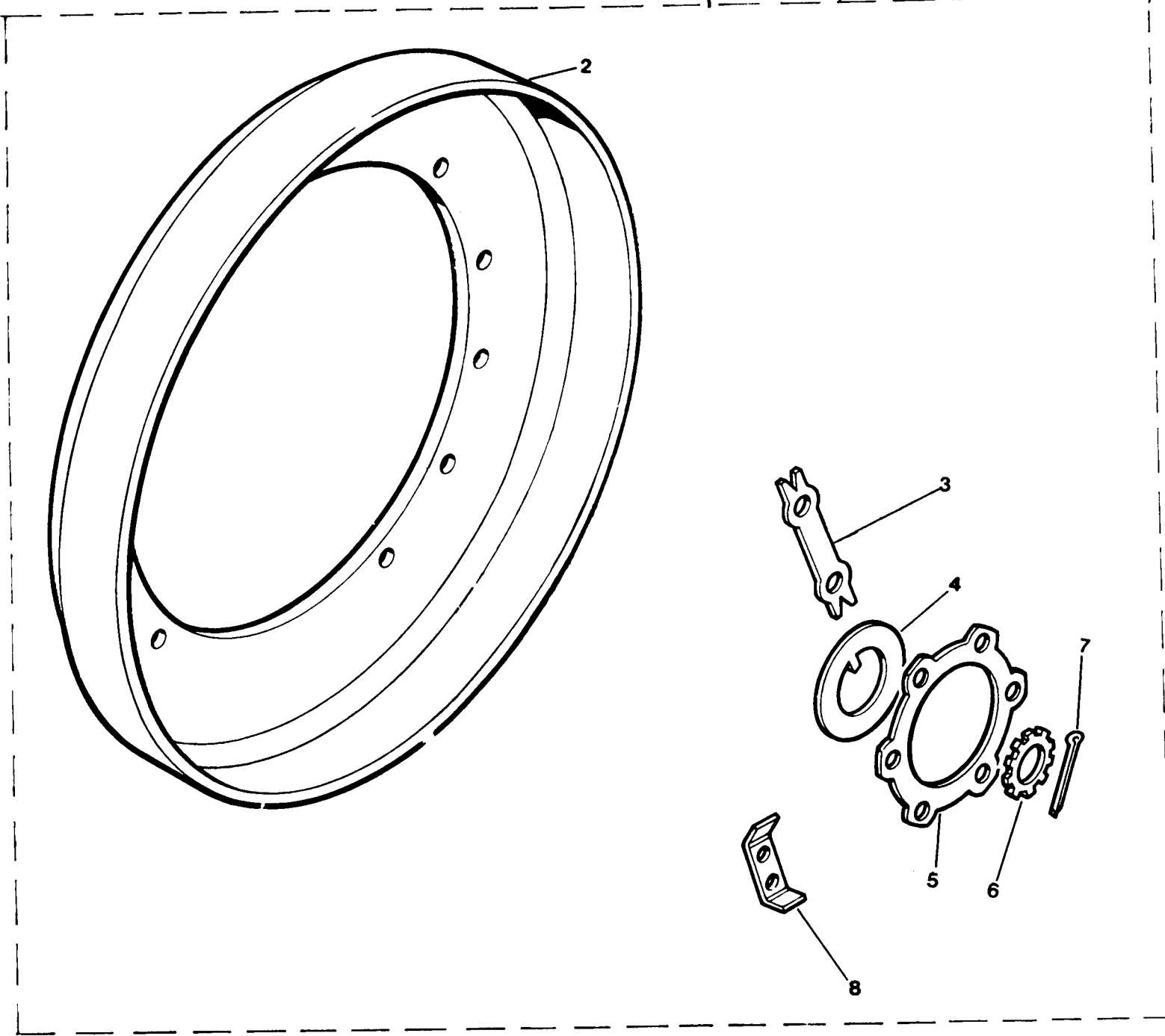


PUBLICACION N 890013  
EDICION N 1

GRUPO=18 EXTRAS  
GROUP=18 EXTRAS  
GROUPE=18 EXTRAS

SUBGRUPO=RUEDA LIBRE  
SUBGROUP=FREE WHEELING HUB  
SUBGROUPE=ROUE LIBRE

N.FIG	N.PIEZA	CAN	DENOMINACION	DESCRIPTION	DENOMINATION	C H A S I S
PLATE	PARTNUMBER	QTY				
N.FIG	N.PIECE	OUT				
1	137404	2	CONJ RUEDA LI AVM 4C	AVM FREE WHEELING 4C	ENS ROUE LIBR AVM 4C	
	137493	2	CONJ RUEDA LI AVM 6C	AVM FREE WHEELING 6C	ENS ROUE LIBR AVM 6C	
2	193346	1	JUEGO JUNTAS AVM 4C	AVM GASKET SET 4C	POCHETTE JOINT AVM4C	
	193347	1	JUEGO JUNTAS WARN 4C	WARN GASKET SET 4C	POCHETTE JOINT WAR4C	
	194144	1	JUEGO JUNTAS AVM 6C	AVM 6C GASKET SET 6C	POCHETTE JOIN AVM 6C	
	194347	1	JUEGO JUNTAS SLAY 6C	SLAY 6C GASKET SET6C	POCHETTE JOI SLAY 6C	
	194376	1	JUEGO JUNTAS SLAY 4C	SLAY 4C GASKET SET4C	POCHETTE JOI SLAY 4C	
3	2974	2	PASADOR	PIN	GOUPILLE	

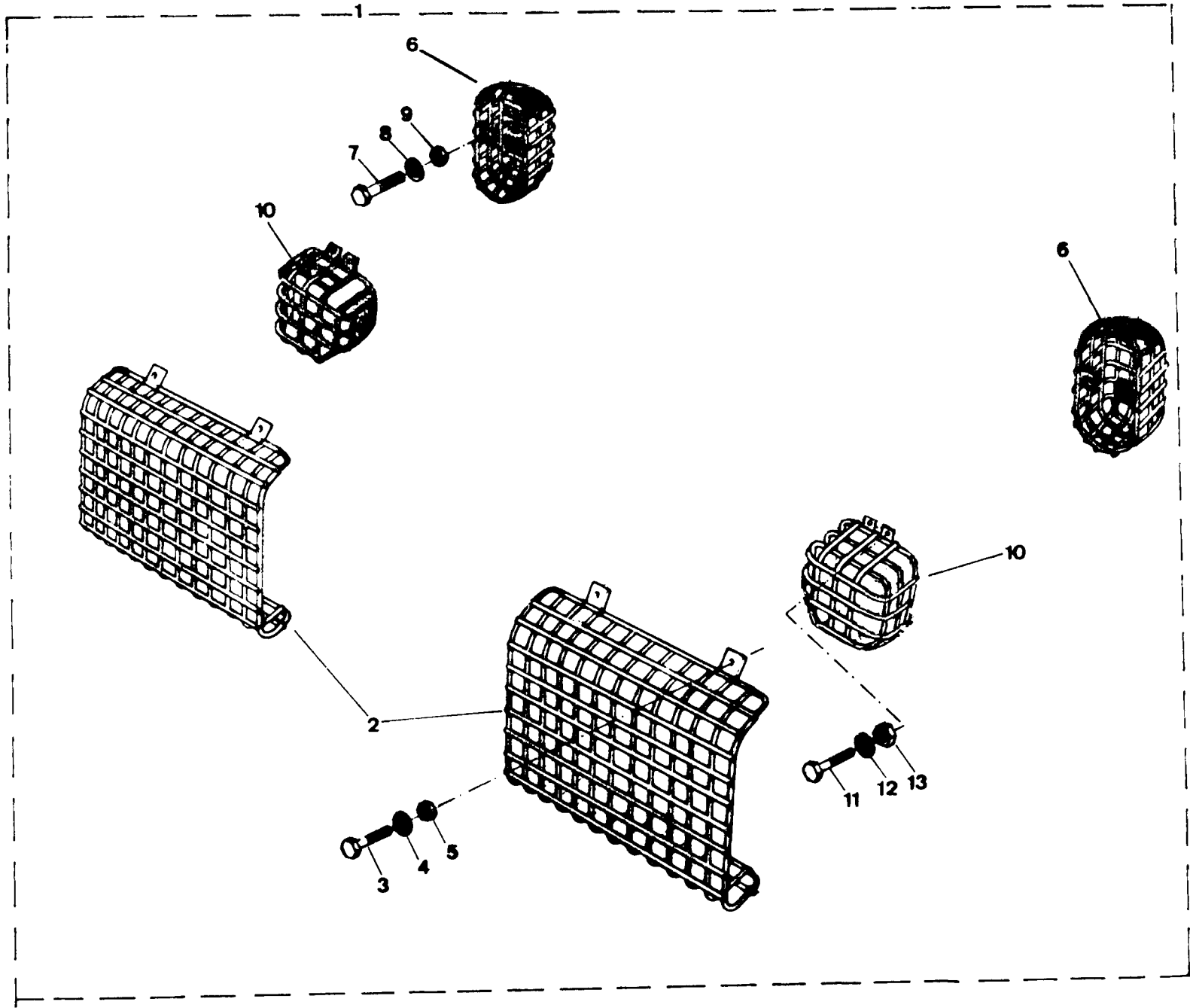


PUBLICACION N 583013  
EDICION N 1

GRUPO=18 EXTRAS  
GRUPE=18 EXTRAS  
GRUPE=18 EXTRAS

SUBGRUPO=PROTECTOR PLATOS FRE  
SUBGROUP=MUDSHIELD  
SUBGROUPE=PROTECTION PLATEAU

N.FIG	N.PIEZA	CAN	DENOMINACION	DESCRIPTION	DENOMINATION	C H A S I S
PLATE	PART NUMBER	QTY				
N.FIG	N.PIECE	OUT				
1	RTC1441 528163	1	CONJ PROTECTOR 88	PROTECTION ASSY 88	ENSEMBLE PROTECT 88	
		1	CONJ PROTECTOR 109	PROTECTION ASSY 109	ENSEMBLE PROTECT 109	
2	NRC1244 077144	4	PROTECTOR 88	PROTECTION 88	PROTECTION 88	
		4	PROTECTOR 109	PROTECTION 109	PROTECTEUR 109	
3	277311	6	FIADOR	LOCKER	ATTACHE	
4	217353	4	ARANDELA	WASHER	RONDELLE	
5	OFC116	4	BRIDA	FLANGE	BRIDE	
6	CHS1170	4	RETEN	RETAINER	ARRETOIR	
7	100319	4	PASADOR	PIN	GOUILLE	
8	036995	4	SOPORTE	SUPPORT	SUPPORT	

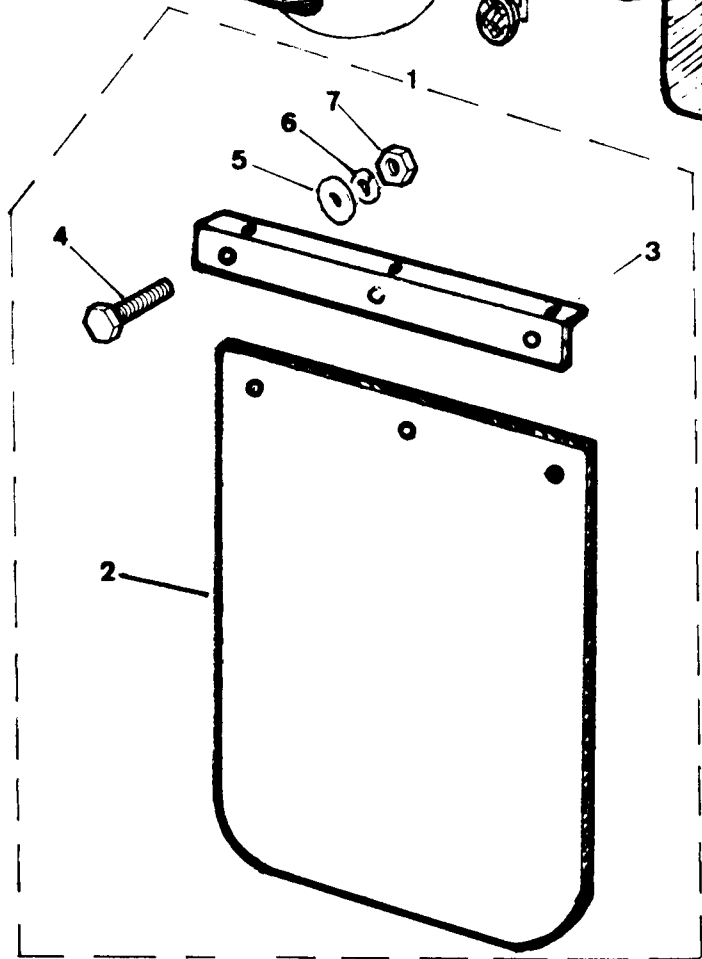
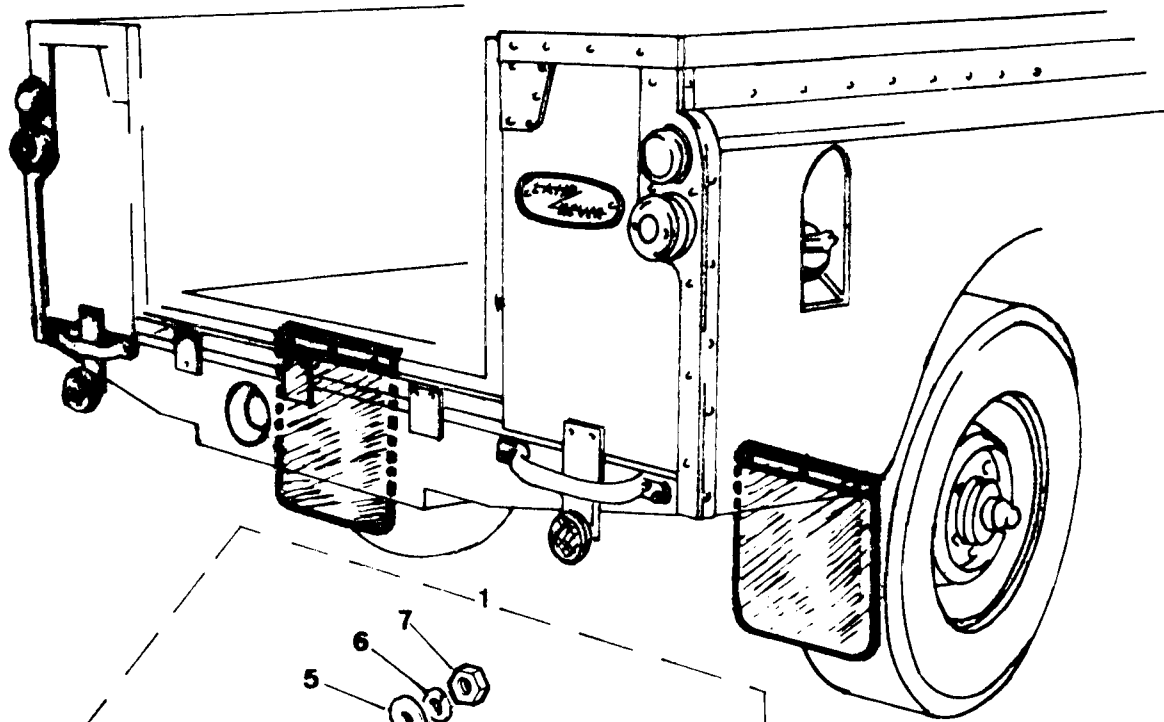


PUBLICACION N 880013  
EDICION N 1

GRUPO=18 EXTRAS  
GROUP=18 EXTRAS  
GROUPE=18 EXTRAS

SUBGRUPO=PROTECCION PILOTOS  
SUBGROUP=LENS PROTECTION  
SUBGROUPE=PROTECTION FEUX

N.FIG	N.PIEZA	CAN	DENOMINACION	DESCRIPTION	DENOMINATION	C H A S I S
PLATE	PARTNUMBER	QTY				
N.FIG	N.PIECE	OUT				
1	197936	1	CONJUNTO PROTECCIONE	PROTECTION ASSY	ENSEMBLE PROTECTIONS	
	197937	1	CONJ PROTECC ESPECI	PROTECT ASS SPECIAL	ENSEMB PROTEC SPECIA	
2	139964	2	PROTECCION FRONTAL	FRONTAL PROTECTION	PROTECTION AVANT	
3	78291	8	TORNILLO	SCREW	VIS	
4	3902	8	ARANDELA	WASHER	RONDELLE	
5	532848	8	TUERCA	NUT	ECROU	
6	139967	2	PROTECCION FILO TRAS	REAR LENS PROTECTION	PROTECTION FEUX ARRI	
7	78291	4	TORNILLO	SCREW	VIS	
8	3902	4	ARANDELA	WASHER	RONDELLE	
9	532849	4	TUERCA	NUT	ECROU	
10	139961	1	P PILOT TRAS L I ESP	REAR LENS PR R H SPE	PROT FEUX AR C G SPE	
	139962	1	P PILOT TRAS L D ESP	REAR LENS PR R H SPE	PROT FEUX AR C D SPE	
11	78291	6	TORNILLO ESPECIAL	SCREW SPECIAL	VIS SPECIAL	
12	3902	6	ARANDELA ESPECIAL	WASHER SPECIAL	RONDELLE SPECIAL	
13	532848	6	TUERCA ESPECIAL	NUT SPECIAL	ECROU SPECIAL	



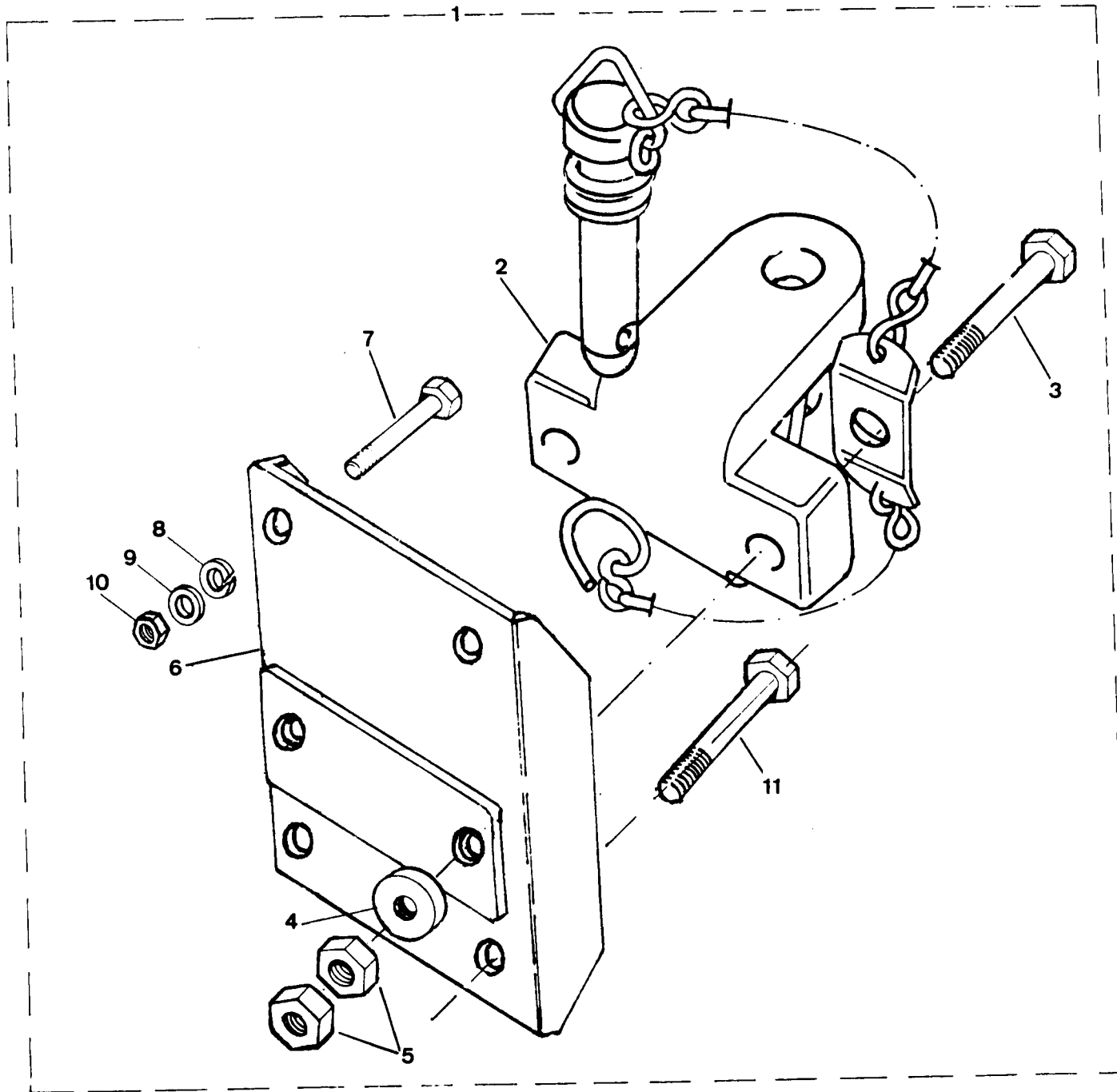


PUBLICACION N 800013  
 EDICION N 1

GRUPO=18 EXTRAS  
 GROUP=18 EXTRAS  
 GROUPE=18 EXTRAS

SUBGRUPO=FALDONES DE GOMA  
 SUBGROUP=MUD FLAPS  
 SUBGROUPE=RUBBER JUPE

N.FIG	N.PIEZA	CAN	DENOMINACION	DESCRIPTION	DENOMINATION	C H A S I S
PLATE	PARTNUMBER	QTY				
N.FIG	N.PIECE	OUT				
1	193353	1	CONJUNTO FALDONES	MUD FLAP ASSY	ENSEMBLE JUPES	
2	170991	2	FALDON	FLAP	JUPE	
3	153156	2	ESCUADRA	ANGRL	EQUERRE	
4	182113	12	TORNILLO	SCREW	VIS	
5	2228	12	ARANDELA	WASHER	RONDELLE	
6	3074	12	ARANDELA	WASHER	RONDELLE	
7	181184	12	TUERCA	NUT	ECROU	

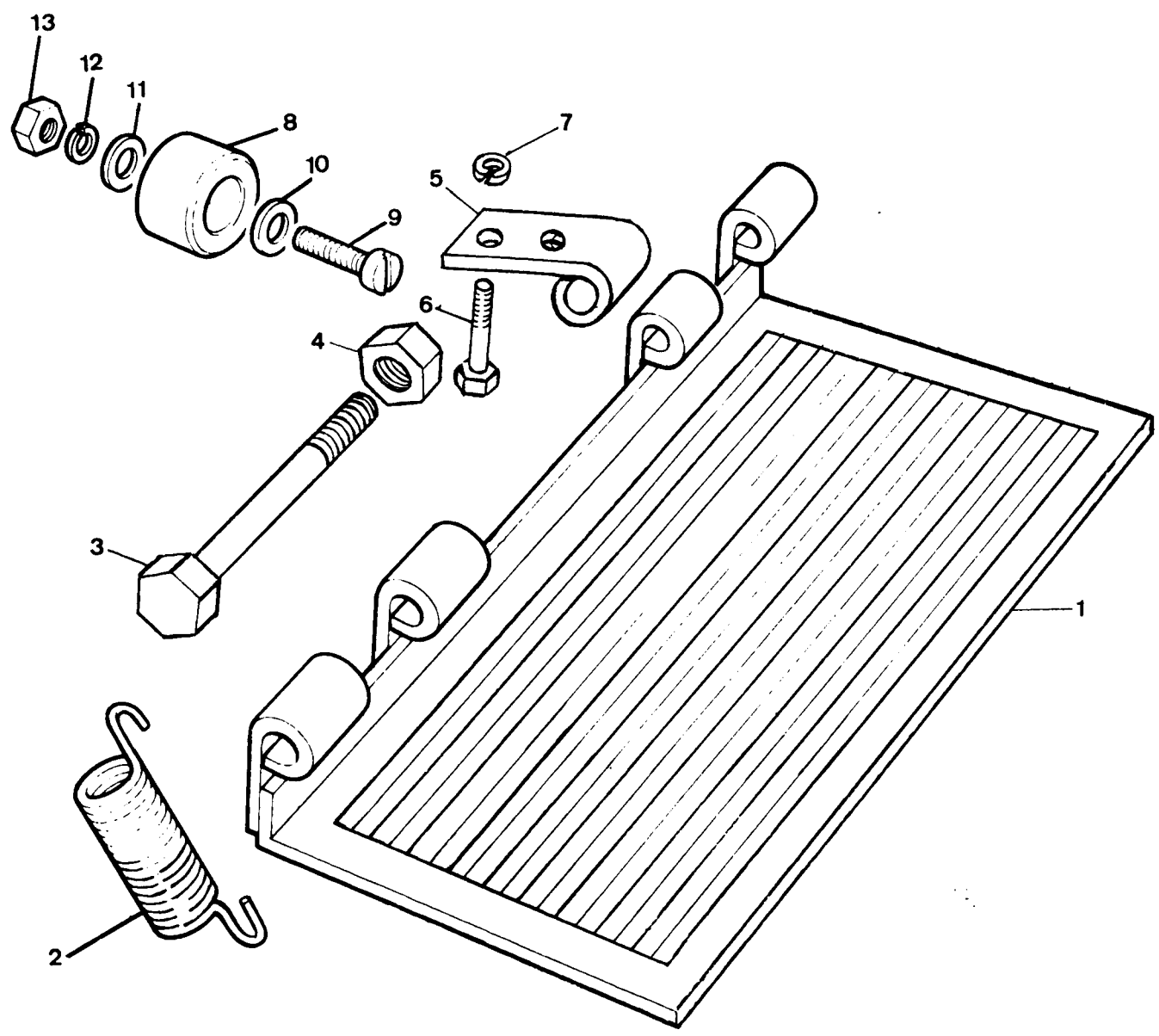


PUBLICACION N 883313  
EDICION N 1

GRUPO=18 EXTRAS  
GROUP=18 EXTRAS  
GROUPE=18 EXTRAS

SUBGRUPO=GANCHO REMOLQUE BULO  
SUBGROUP=TOWING HOOK  
SUBGROUPE=CROCHET REMORQUAGE

N.FIG	N.PIEZA	CAN	DENOMINACION	DESCRIPTION	DENOMINATION	C H A S I S
PLATE	PARTNUMBER	QTY				
N.FIG	N.PIECE	OUT				
1	193514	1	CONJ GANCHO REMOLQUE	TOWING HOOK ASSY	ENS CROCHET REMORQUA	
2	559636	1	GANCHO REMOLQUE	TOWING HOOK	CROCHET REMORQUAGE	
3	256734	2	TORNILLO	BOLT	BOULON	
4	508390	1	DISTANCIADOR	SPACER	ENTRETOISE	
5	254816	8	TUERCA	NUT	ECROU	
6	508412	1	PLACA	PLATE	PLAQUE	
7	256256	2	TORNILLO	BOLT	BOULON	
8	4067	2	ARANDELA	WASHER	RONDELLE	
9	4094	2	ARANDELA	WASHER	RONDELLE	
10	181182	4	TUERCA	NUT	ECROU	
11	518362	2	TORNILLO	BOLT	BOULON	

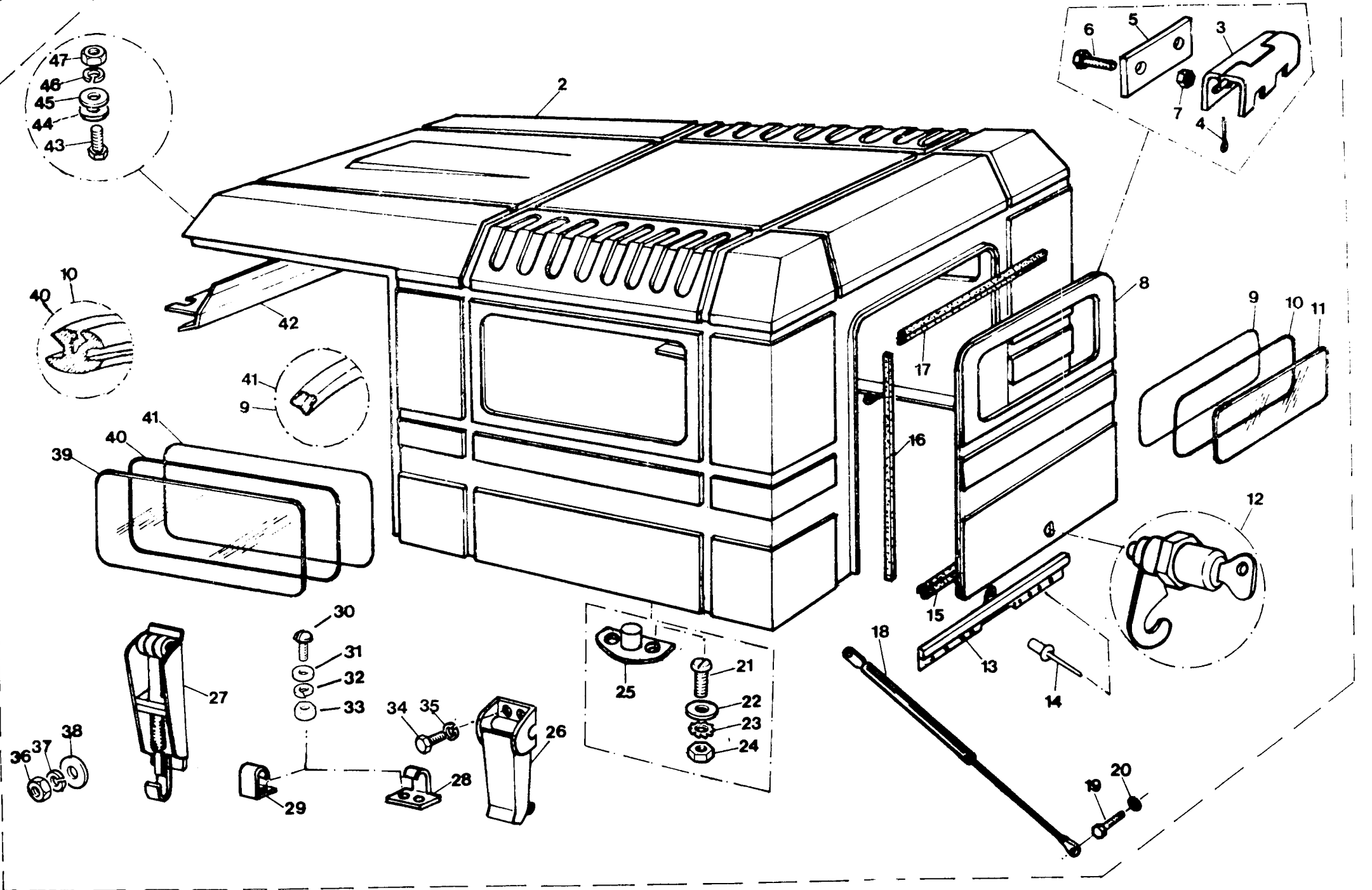


PUBLICACION N 880013  
EDICION N 1

GRUPO=18 EXTRAS  
GROUP=18 EXTRAS  
GROUPE=18 EXTRAS

SUBGRUPO=ESTRIBO TRASERO  
SUBGROUP=REAR FOLDING STEP  
SUBGROUPE=CALEPIED ARRIERE

N.FIG	N.PIEZA	CAN	DENOMINACION	DESCRIPTION	DENOMINATION	C H A S I S
PLATE	PARTNUMBER	QTY				
N.FIG	N.PIECE	OUT				
1	523589	1	ESTRIBO TRASERO	REAR STEP	ETIER ARRIERE	
2	264367	1	MUELLE	SPRING	RESSORT	
3	256254	2	TORNILLO	BOLT	BOULON	
4	254857	4	TUERCA	NUT	ECROU	
5	150975	1	BISAGRA L D	HINGE P H	CHARNIERE C D	
	157410	1	BISAGRA L I	HINGE L H	CHARMIERE C G	
6	255046	2	TORNILLO	BOLT	BOULON	
7	180426	2	ARANDELA	WASHER	RONDELLE	
8	312027	2	GOMA	RUBBER	CAOUTCHOUC	
9	237121	2	TORNILLO	ECREW	VIS	
10	4030	2	ARANDELA	WASHER	RONDELLE	
11	3816	2	ARANDELA	WASHER	RONDELLE	
12	3073	2	ARANDELA	WASHER	RONDELLE	
13	180124	2	TUERCA	NUT	ECROU	

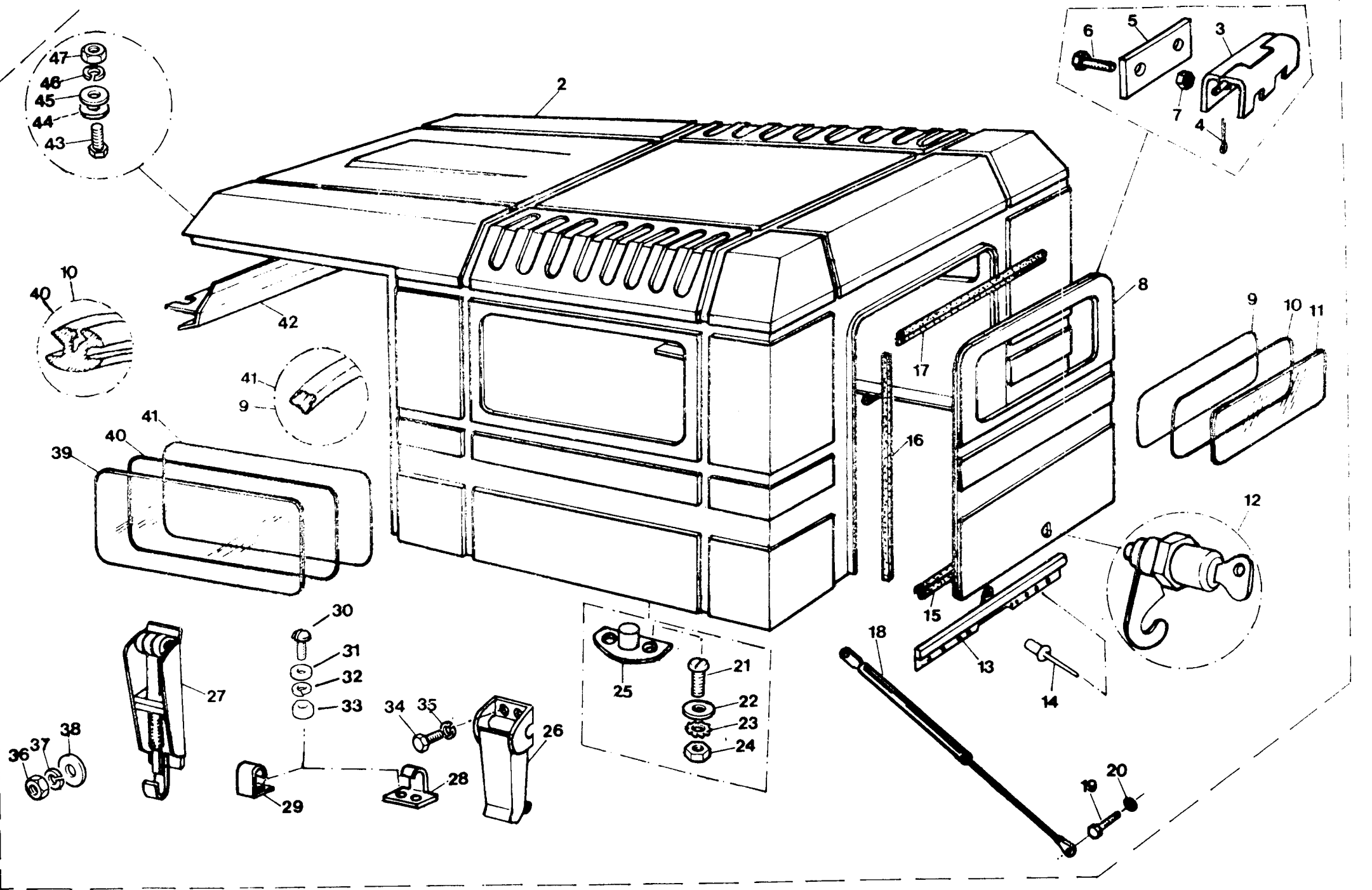


PUBLICACION N 980013  
EDICION N 1

GRUPO=18 EXTRAS  
GROUP=18 EXTRAS  
GROUPE=18 EXTRAS

SUBGRUPO=CAPOTA POLIEST 88LIG  
SUBGROUPO=POLIESTER TOP 88LIG  
SUBGROUPE=TOIT POLIESTER 88LIG

N.FIG	N.PIEZA	CAN				
PLATE	PARTNUMBER	QTY				
N.FIG	N.PIECE	OUT	DENOMINACION	DESCRIPTION	DENOMINATION	C H A S I S
1	198644	1	CONJ CAPOTA POLIESTE	POLIESTER HOOD ASSY	ENS BACHE POLIESTER	
2	209472	1	CUBIERTA POLIESTER	POLIESTER HOOD	BACHE DE POLIESTER	
3	203080	2	BISAGRA	HINGE	CHARNIERE	
4	2388	2	PASADOR	PIN	GOUILLE	
5	203108	2	PLACA	PLATE	PLAQUE	
6	78208	4	TORNILLO	BOLT	BOULON	
7	252220	4	TIERCA	NUT	ECROU	
8	209386	1	PUERTA	DOOR	PORTE	
9	203088	1	GOMA	RUBBER	CAOUTCHOUC	
10	203086	1	GOMA	RUBBER	CAOUTCHOUC	
11	203085	1	CRISTAL	GLASS	GLACE	
12	209588	1	CERRADURA	LOCK	SERRURE	
13	209471	1	PERFIL	ANGLE	PROFIL	
14	78248	6	REMACHE	RIVET	RIVET	
15	203102	1	GOMA	RUBBER	CAOUTCHOUC	
16	203091	2	GOMA	RUBBER	CAOUTCHOUC	
17	203101	1	GOMA	RUBBER	CAOUTCHOUC	
18	209551	2	AMORTIGUADOR	SHOCK ABSORBER	AMORTISSEUR	
19	203078	4	TORNILLO	BOLT	BOULON	
20	3968	4	ARANDELA	WASHER	RONDELLE	
21	7821	2	TORNILLO	SCREW	VIS	
22	3961	4	ARANDELA	WASHER	RONDELLE	
23	252257	4	ARANDELA	WASHER	RONDELLE	
24	181184	4	TUERCA	NUT	ECROU	
25	203279	2	SOPORTE	SUPPORT	SUPPORT	
26	203105	2	CIERRE TRASERO	REAR CLOSING	ARRET ARRIERE	
27	209550	4	CIERRE LATERAL	SIDE CLOSING	ARRET LATERAL	
28	203106	2	ENGANCHE TRASERO	REAR CLEVIS HOOK	CROC ARRIERE	
29	203202	4	ENGANCHE LATERAL	SIDE CLEVIS HOOK	CROC LATERAL	
30	78211	12	TORNILLO	SCREW	VIS	
31	2228	12	ARANDELA	WASHER	RONDELLE	
32	052257	12	ARANDELA	WASHER	RONDELLE	
33	181184	12	TUERCA	NUT	ECROU	
34	77895	4	TORNILLO	SCREW	VIS	



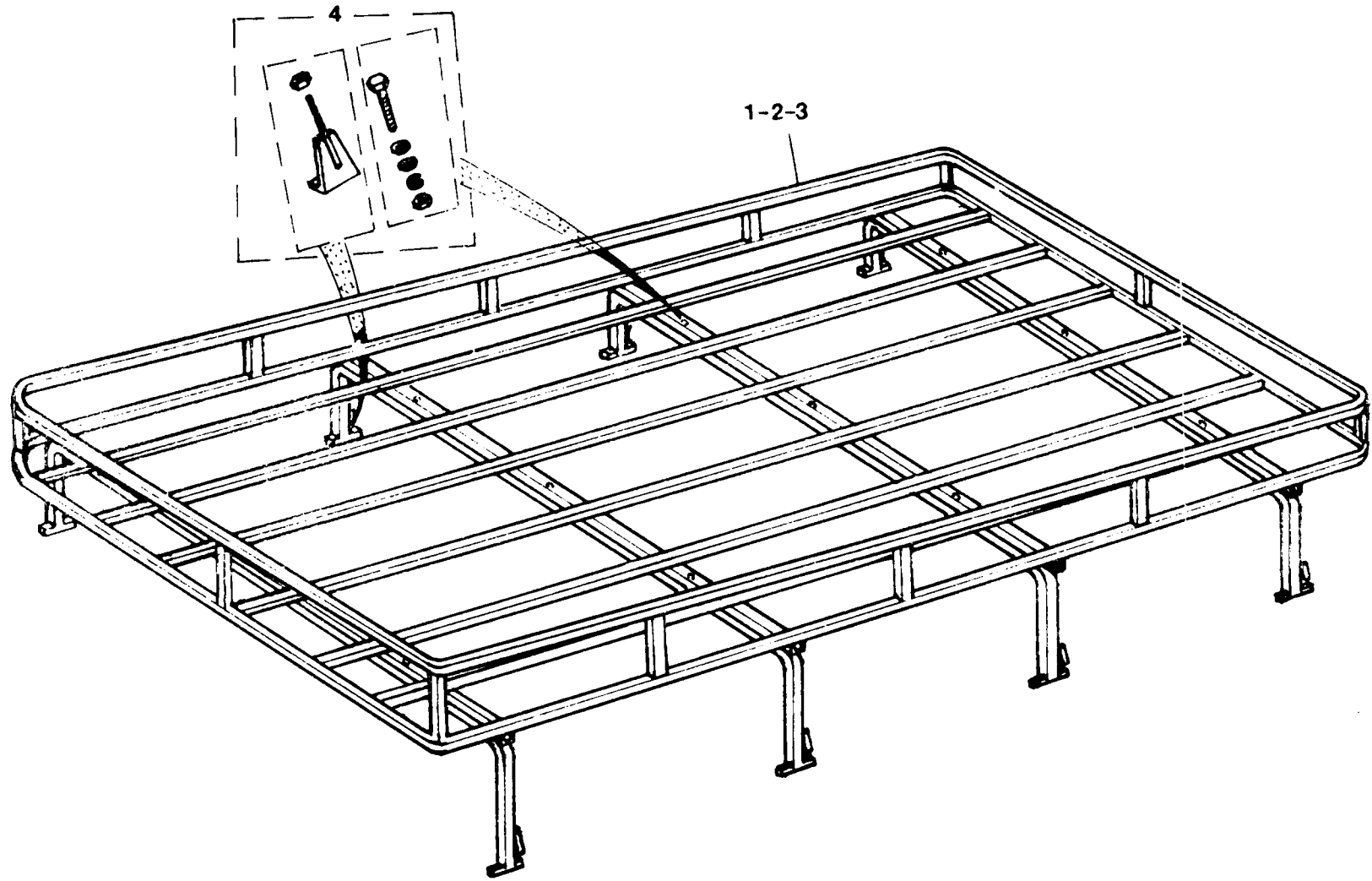


PUBLICACION N 890013  
 EDICION N 1

GRUPO=18 EXTRAS  
 GROUP=18 EXTRAS  
 GROUPE=18 EXTRAS

SUBGRUPO=CAPOTA POLIEST 88LIG  
 SUBGROUP=POLIESTER TOP 88LIG  
 SUBGROUPE=TOIT POLIESTER 88LIG

N.FIG	N.PIEZA	CAN	DEINOMINACION	DESCRIPTION	DENOMINATION	C H A S I S
PLATE	PARTNUMBER	QTY				
N.FIG	N.PIECE	OUT				
35	184234	4	ARANDELA	WASHER	RONDELLE	
36	180124	8	TUERCA	NUT	ECROU	
37	74236E1	8	ARANDELA	WASHER	RONDELLE	
38	189484	8	ARANDELA	WASHER	RONDELLE	
39	203084	2	CRISTAL	GLASS	GLACE	
40	203187	2	GOMA	RUBBER	CAOUTCHOUC	
41	203089	2	GOMA	RUBBER	CAOUTCHOUC	
42	209986	1	PERFIL	ANGLE	PROFIL	
43	255278	4	TORNILLO	BOLT	BOULON	
44	3912	4	ARANDELA	WASHER	RONDELLE	
45	3900	4	ARANDELA	WASHER	RONDELLE	
46	3074	4	ARANDELA	WASHER	RONDELLE	
47	181184	4	TUERCA	NUT	ECROU	

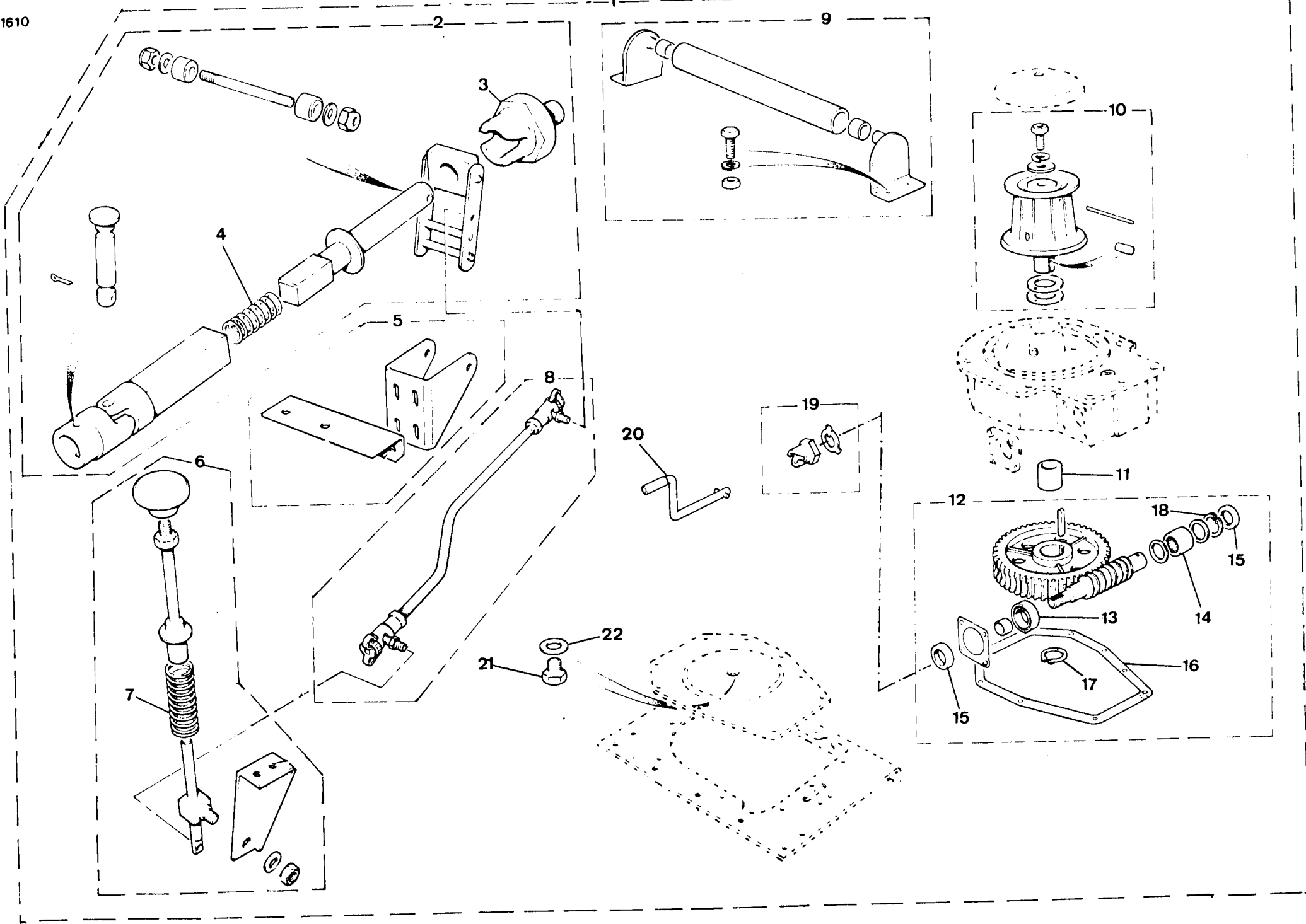


PUBLICACION N 893013  
 EDICION N 1

GRUPO=19 EXTRAS  
 GROUP=19 EXTRAS  
 GROUPE=19 EXTRAS

SUBGRUPO=BACAS  
 SUEGROUP=ROOF RACK  
 SUBGROUPE=BACHE

N.FIG PLATE N.FIG	N.PIEZA PARTNUMBER N.PIECE	CAN QTY OUT	DENOMINACION	DESCRIPTION	DENOMINATION	C H A S I S
1	193104	1	BACA 88	ROOF RACK 88	LUGAGE CARRIER 88	
2	193103	1	BACA CORTA 109	SMALL ROOF RACK 109	LUGAGE PETIT 109	
3	193102	1	BACA LARGA 109	LARGE ROOF RACK 109	LUGAGE GRAND 109	
4	193674	1	8 GARRAS ANTIGUAS	8 ANTIGUE CLAW	8 MAIN ANTIQUE	
	193675	1	8 GARRAS MODERNAS	8 MODERN CLAW	8 MAIN MODERNE	



PUBLICACION N 880013  
EDICION N 1

GRUPO=18 EXTRAS  
GROUP=18 EXTRAS  
GROUPE=18 EXTRAS

SUBGRUPO=CABRESTANTE MECANICO  
SUBGROUP=CAPSTAN WINCH DRIVE  
SUBGROUPE=CABESTAN MECANIQUE

N.FIG	N.PIEZA	CAN				
PLATE	PARTNUMBER	QTY				
N.FIG	N.PIECE	OUT	DENOMINACION	DESCRIPTION	DENOMINATION	C H A S I S
1	GLR101	1	CABRESTANTE	CAPSTAN WINCH	CABRESTAN	
2	RTC7006	1	CONJ JUNTA UNIVERSAL	PROPELLER SHAFT	ARBRE DE TRANSMISSIO	
3	RTC7015	1	GARRA	STARTING DOG	CRABOT	
4	RTC7007	1	MUELLE	SPRING	RESSORT	
5	RTC7009	1	CONJ PLACAS	PLATES ASSY	ENS PLAQUES	
6	RTC7010	1	CONJ PALANCA	LEVER ASSY	ENS LEVIER	
7	RTC7011	1	MUELLE	SPRING	RESSORT	
8	RTC7012	1	PALANCA	LEVER	LEVIER	
9	RTC7004	1	CONJ RODILLO	ROLL ASSY	ENS PULIE	
10	RTC7000	1	CONJ CUBO	MUB ASSY	ENS CUBE	
11	219161	2	CASCUTLLO	BUSH	BAGUE	
12	RTC7001	1	CONJ ENGRANAJE	GEAR ASSY	ENS ENGRANAGE	
13	219088	1	RODAMIENTO	BEARING	ROULEMENT	
14	235646	1	RODAMIENTO	BEARING	ROULEMENT	
15	219624	2	RETEN	RETAINER	ARRETOIR	
16	219116	1	JUNTA	JOINT	JOINT	
17	219691	1	ANILLO ELASTICO	CIRCLIP	CIRCLIP	
18	235647	1	ANILLO ELASTICO	CIRCLIP	CIRCLIP	
19	RTC7003	1	GARRA	STARTING DOG	CRABOT	
20	234412	1	MANIVELA	STARTING HANDLE	MANIVELLE	
21	536977	1	TAPON	PLUG	BOUCHON	
22	243959	1	ARANDELA	WASHER	RONDELLE	